



Features

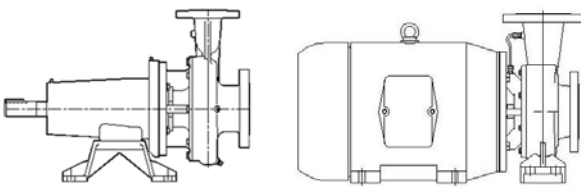
- **Pump Design** – Close Coupled
- **Standard Seal** – Type 21
- **Construction** – 316 Stainless Steel
- **Flush Options** – Recirculation

Applications

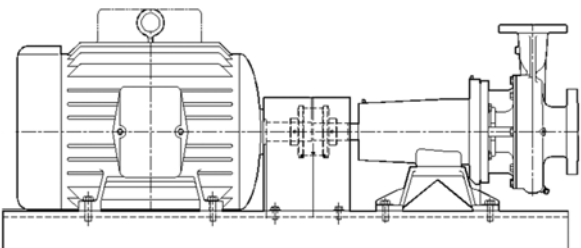
- Waste Water Treatment
- Municipal Water Treatment
- Acid Mine Drainage
- Frac Water Treatment
- Oilfield Brine
- Chemical Process
- Transfer
- Irrigation / Drainage

Available Configurations

- **Close-Coupled:**
- **Power Frame Mounting:**



- **Long-Couple Mounting:**



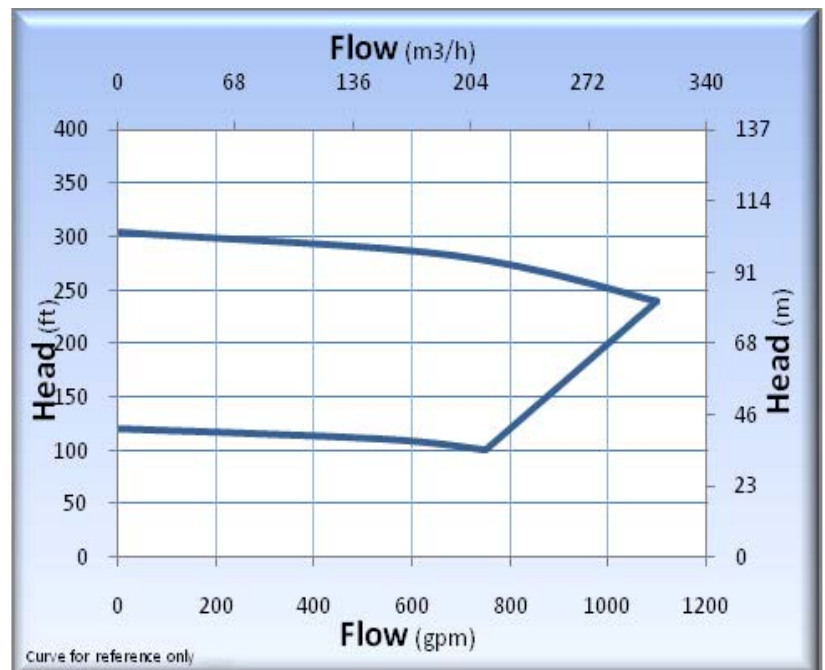
XJ400

Pump Volute - Impeller - Bracket Materials
XJ – All Wetted Parts 316SS

Pump Specifications

- XJ400 Suction - 4" Flange, Discharge - 4" Flange
Flange specs. - 150 lb, Centerline, ANSI Dimensioned
- Maximum Impeller Diameter: 8.5"
- Motor: NEMA JM (Multiple motor enclosures available)
- Mechanical Seal:
Single, 1-1/2" Type 21 Viton, Carbon vs. Ceramic (SS)
- Bracket Material: 316SS
- Shaft Sleeve: 316SS
- Gasket: Teflon

XJ400 Performance Curve – 60 Hz

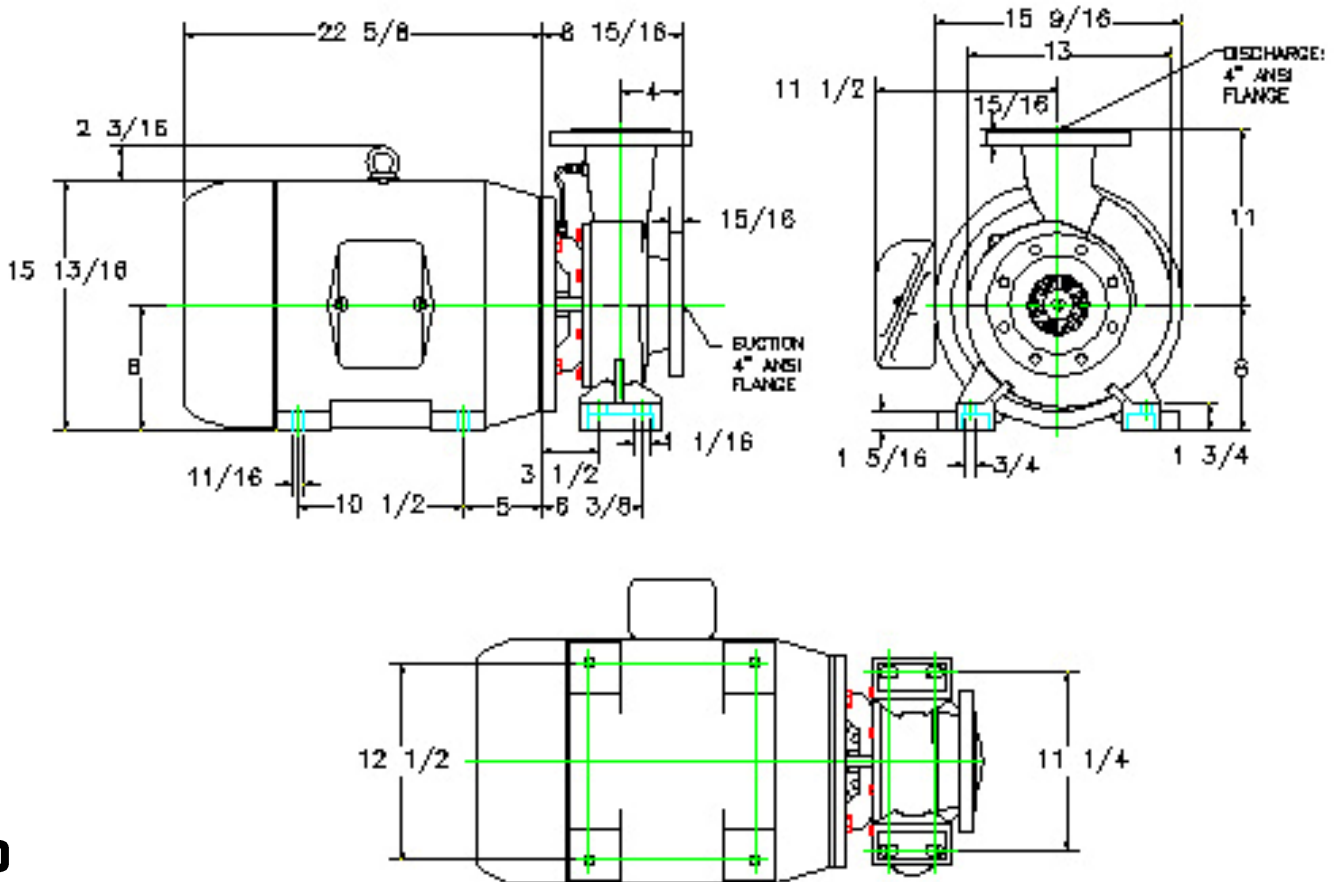


XJ400

| Technical Information | | Materials of Construction | |
|--|-----------------------------------|---------------------------|---------------|
| Max Flow | 1100 GPM (250 m ³ /hr) | Volute | 316SS |
| Max Head | 300 feet (92 m) | Impeller | 316SS |
| Min. Flow | 100 GPM (22.7 m ³ /hr) | Shaft Sleeve | 316SS |
| Max Solid Size | 0.44" (11 mm) | Bracket | 316SS |
| Max Working Pressure (Type 21 Seal) | 150 PSI (10.3 bar) | Gasket | Teflon (PTFE) |
| Max Temp. | 300°F (149°C)* | | |

* Temperature limits based on seal and gasket material selection and will vary with liquid being pumped.

Dimensions - XJ400



PRICE PUMP CO.

21775 Eighth Street East
 Sonoma, CA 95476-0329
 MAIN (707) 938-8441
 TOLL FREE (800) 345-7867
 FAX (707) 938-0764
 E-mail: sales@pricepump.com
 Website: www.pricepump.com

Contact factory for special pump configurations,
 same day, and next day delivery options.

Member of:
Hydraulic
 INSTITUTE

